

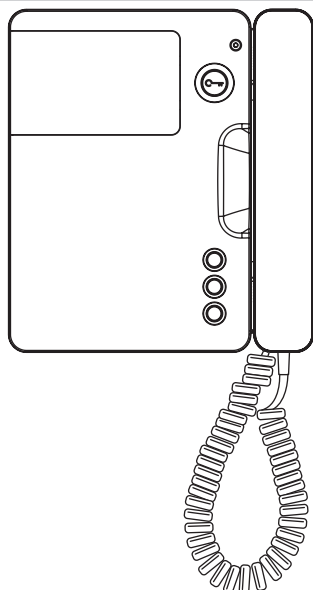


SIGNO COLOUR VIDEO DOOR PHONE Ref. 1740/40

SPECIFICATIONS TECHNICAL SPECIFICATIONS

urmet
DOMUS

SIGNO COLOUR VIDEO DOOR PHONE Ref. 1740/40



The Signo video door phone, designed by architect Citterio, is a colour apartment station that, as for the black/white version, is provided with a door lock release button backlit with blue led, 3 buttons for additional services, call tone volume adjustment with "Mute" function.

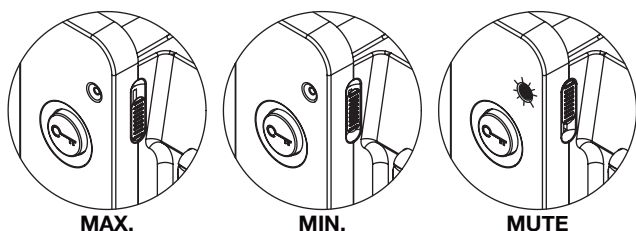
It is equipped with a special handset that allows deaf people, provided with a suitable earphone, to hear who is speaking from the push button panel.

The video door phone is easy to install, because no masonry is necessary and all connections can be done on the bracket to which it will be fastened.

SPECIFICATIONS

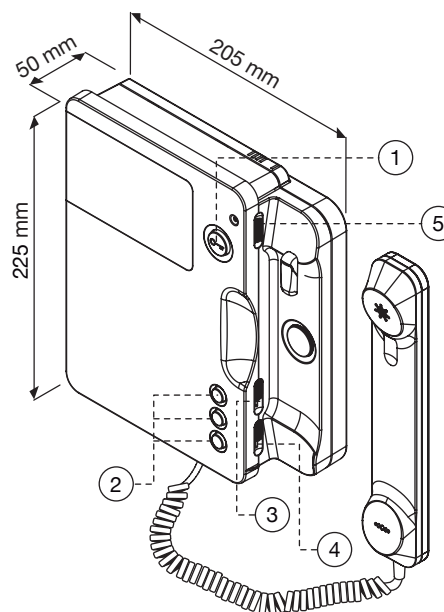
The main characteristics of the video door phone are:
4" LCD colour flat video module.

- Call tone volume adjustment and call exclusion function (Mute). The Mute function is signalled by a red indicator on the front side.



When volume is set to "MUTE" the video door phone will not ring but the video module will light up.

- The door lock release button is backlit by led when the video module is on.
- Additional buttons (●, ●●, ●●●) for special decoder activation, auto power-on, Intercom calling and advanced programming.
- Image brightness and colour adjustment.



- 1 Door opener button
- 2 Auxiliary buttons
- 3 Colour adjustment control
- 4 Brightness adjustment control
- 5 Call volume control and adjustment

TECHNICAL SPECIFICATIONS

Power voltage:		16 ÷ 18,5Vcc
Working	Uptake:	max 0,35°A
	Stand-by:	0A
Working power:		max 6,5W
CCIR version	Vertical frequency:	50Hz ± 2Hz
	Horizontal frequency:	15625 ± 300Hz
Video signal:		1Vpp 75 Ω nominal
		1Vpp -6 dB minimum
LCD:		4" backlit
Screen size:		81 x 59mm
Resolution:		380H x 250V pixel
Colour system:		PAL
Switch-on delay:		4sec. Max
Transmitting capsule:		electret microphone
Receiving capsule:		45Ω speaker
Buttons contacts range:		0,5A @ 18Vdc
Operating temperature range:		-5° ÷ +50° C
Max. humidity:		90% UR